

The wine glass chandeliers The Glass Cluster / Glasklasen

Differences between EU and US versions - sketch of top part

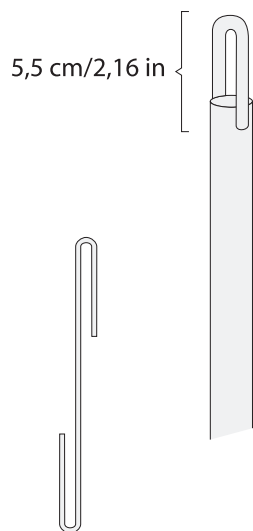
We carry two versions of the Glass Cluster range - both versions uses the same glass-holder/rack.
The difference between the two versions concerns the electric parts and the top shown in the sketch below.

- The EU-version: is wired to EU-standards and comes with a top-plate.
- The US-version: is not wired and no electric parts are enclosed. However wiring is prepared for and is easily mounted by an electrician. The US-version chandeliers comes without a top plate or a canopy (exception for the Big Cluster 76-glasses which comes with an oval top-plate on top of its two rods).

More information on the Glass Cluster range is to find in our product sheets and on our web site.

US-version

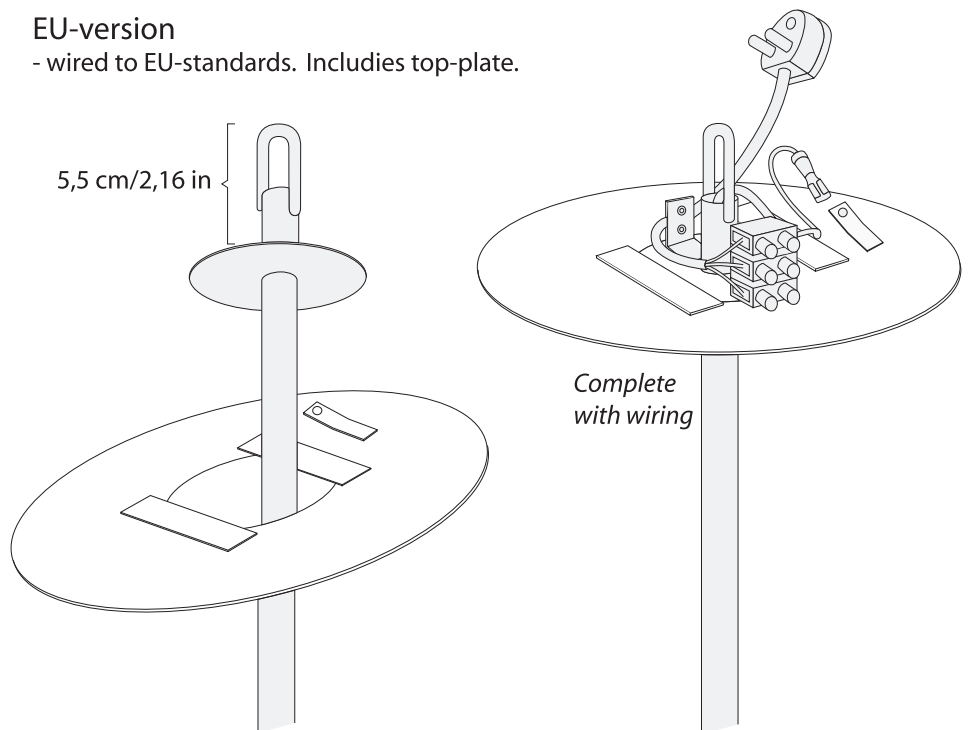
- not wired but prepared for wiring



10 S-shaped hooks (10 cm/3.9 in each)
are enclosed for extension use

EU-version

- wired to EU-standards. Includes top-plate.



FORM NASIELSKY

Kolmårdsgränd 8 SE-117 27 Stockholm Sweden www.nasielsky.se

T +46 (0) 8 668 25 34 F +46 (0) 8 84 50 99 form@nasielsky.se